

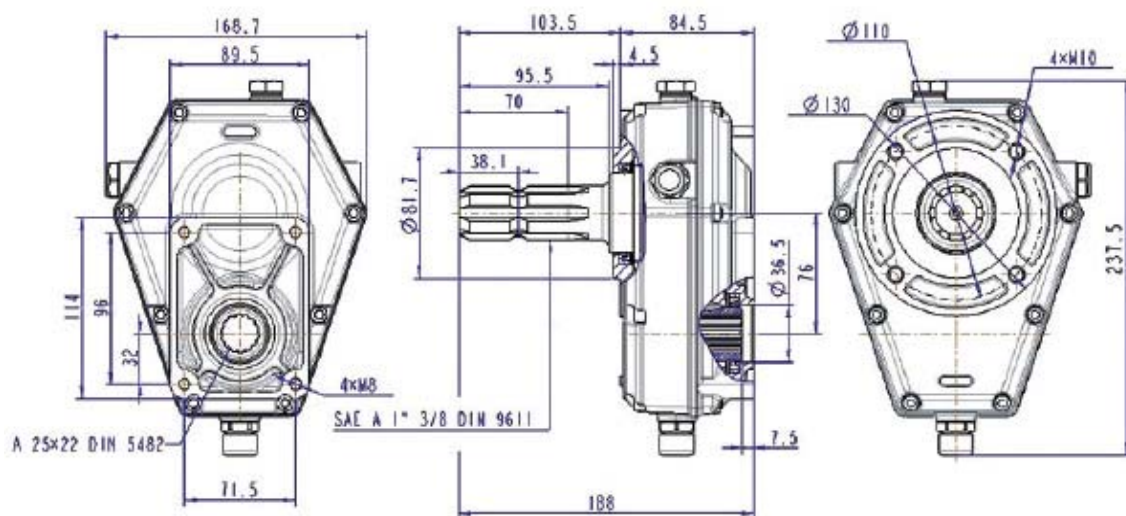
The over-gears are designed for connecting gear pumps to farm tractor power-take-offs. Output speed of power-take-offs is 540 R.P.M. which can be compared with proper running speeds at hydraulic pumps. Different input speeds can also be suitable, provided that overgear output speed does not exceed 3000 R.P.M. HOUSING: Made in shell-cast aluminium or in high mechanical resistance sand. GEARS: The gears have been calculated in compliance with ISO/DIN 3990-88 standards. Made in Steel UNI18 PCR M03. Stub teeth guarantee higher resistance and whisper quietness. SHAFTS: Made in steel UNI16 CRN4. They are coupled with gears via splined parts and are thus more suitable to stand the torques stated in the catalogue. TORQUES: The torques mentioned in the technical charts of all over-gears refer to continuous duty. Torques under intermittent working conditions can be exceeded by 20%. LUBRICATION: We recommend to use oil Type SAE 90 to ensure longest life and proper operation of the unit. Check oil level via the special window every 1500 hours. Carry out first oil change after 60 to 80 working hours. WORKING TEMPERATURE: Continuous working temperature should not exceed 120°C.

MULTIPLICATEUR G2 MÂLE GEAR BOX G2 MALE

MULTIPLICADOR G2 MACHO



Type	M1 daNm	N.1 r/min	N.2 r/min	I N.1 / N.2	KW	Kg
VNKMG2001	18,6	540	1836	3,5	10	5,5
VNKMG2001.1	15,9	540	2052	3,8	10	5,5

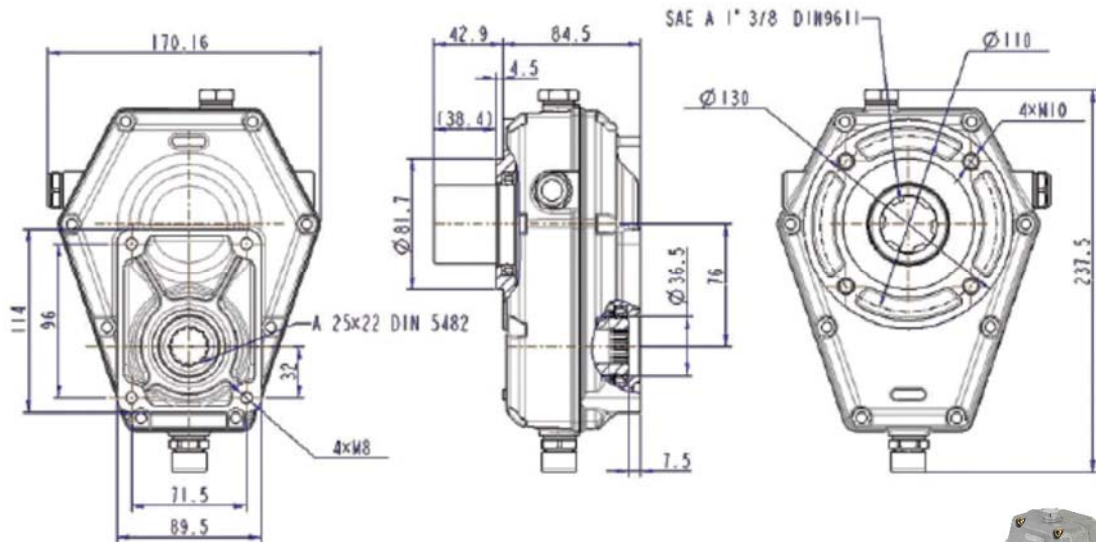


MULTIPLICATEUR G2 FEMELLE GEAR BOX G2 FEMALE

MULTIPLICADOR G2 HEMBRA



Type	M1 daNm	N.1 r/min	N.2 r/min	I N.1 / N.2	KW	Kg
VNKMG2002	18,6	540	1836	3,5	10	5,5
VNKMG2002.1	15,9	540	2052	3,8	10	5,5

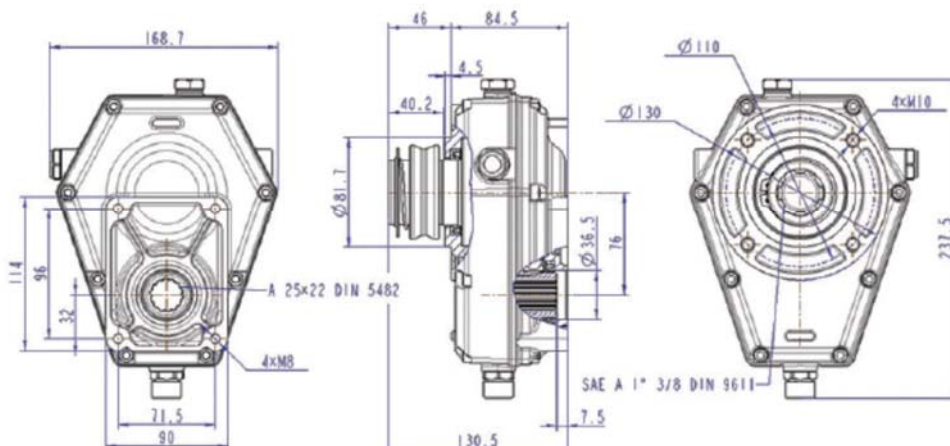


MULTIPLICATEUR G2 AVEC ACCROCHAGE GEAR BOX G2 QUICK COUPLING

MULTIPLICADOR G2 ENCHUFE RAPIDO



Type	M1 daNm	N.1 r/min	N.2 r/min	I N.1 / N.2	KW	Kg
VNKMG2004	18,6	540	1836	3,5	10	5,5
VNKMG2004.1	15,9	540	2052	3,8	10	5,5

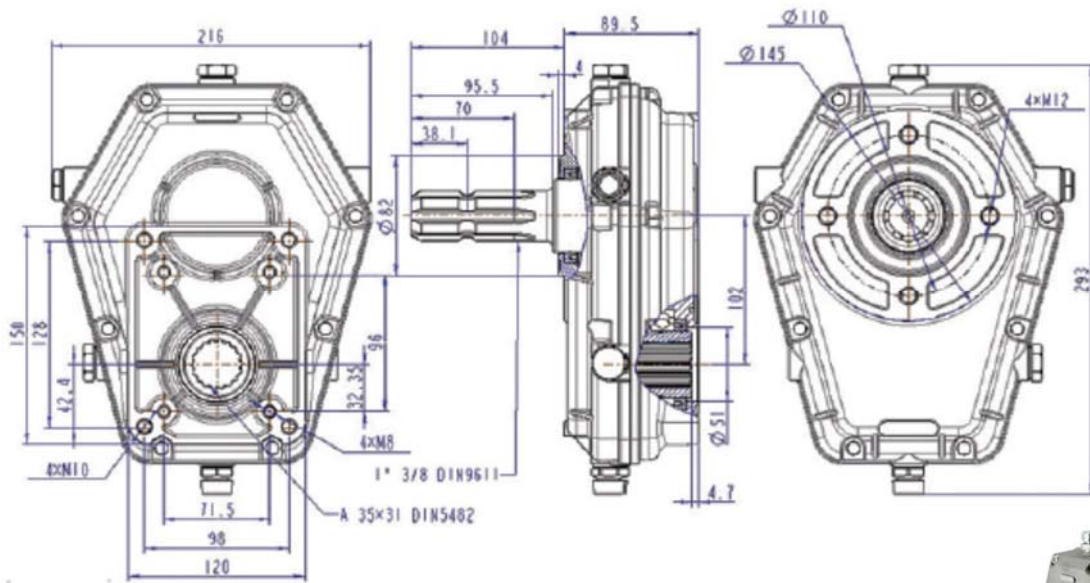




MULTIPLICATEUR G3 MÂLE GEAR BOX G3MALE

MULTIPLICADOR G3 MACHO

Type	M1 daNm	N.1 r/min	N.2 r/min	I N.1 / N.2	KW	Kg
VNKMG3001	46	540	1836	3,5	20	8,1
VNKMG3001.1	43,7	540	2052	3,8	20	8,1

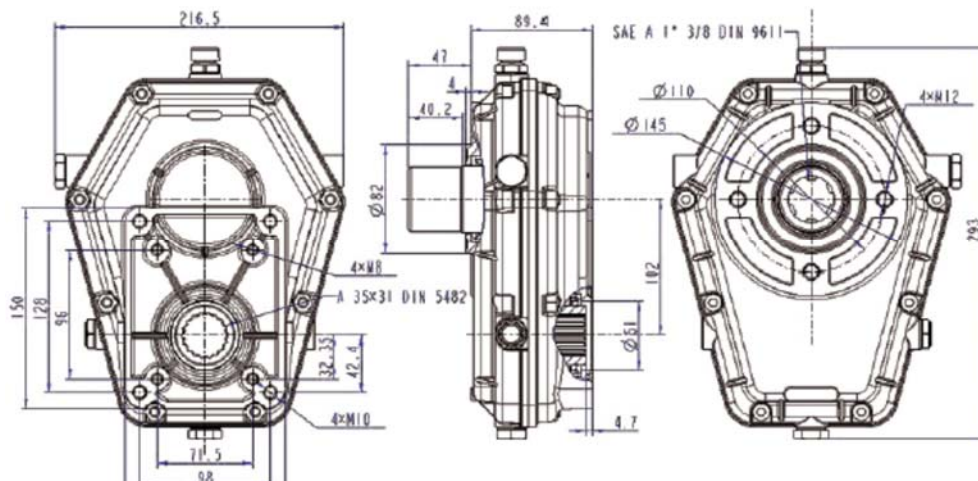


MULTIPLICATEUR G3 FEMELLE GEAR BOX G3 FEMALE

MULTIPLICADOR G3 HEMBRA



Type	M1 daNm	N.1 r/min	N.2 r/min	I N.1 / N.2	KW	Kg
VNKMG3002	46	540	1836	3,5	20	8,1
VNKMG3002.1	43,7	540	2052	3,8	20	8,1



MULTIPLICATEUR G3 AVEC ACCROCAGE GEAR BOX G3 QUICK COUPLING

MULTIPLICADOR G3 ENCHUFE RAPIDO



Type	M1 daNm	N.1 r/min	N.2 r/min	I N.1 / N.2	KW	Kg
VNKM3003	46	540	1836	3,5	20	8,1
VNKM3003.1	43,7	540	2052	3,8	20	8,1

