



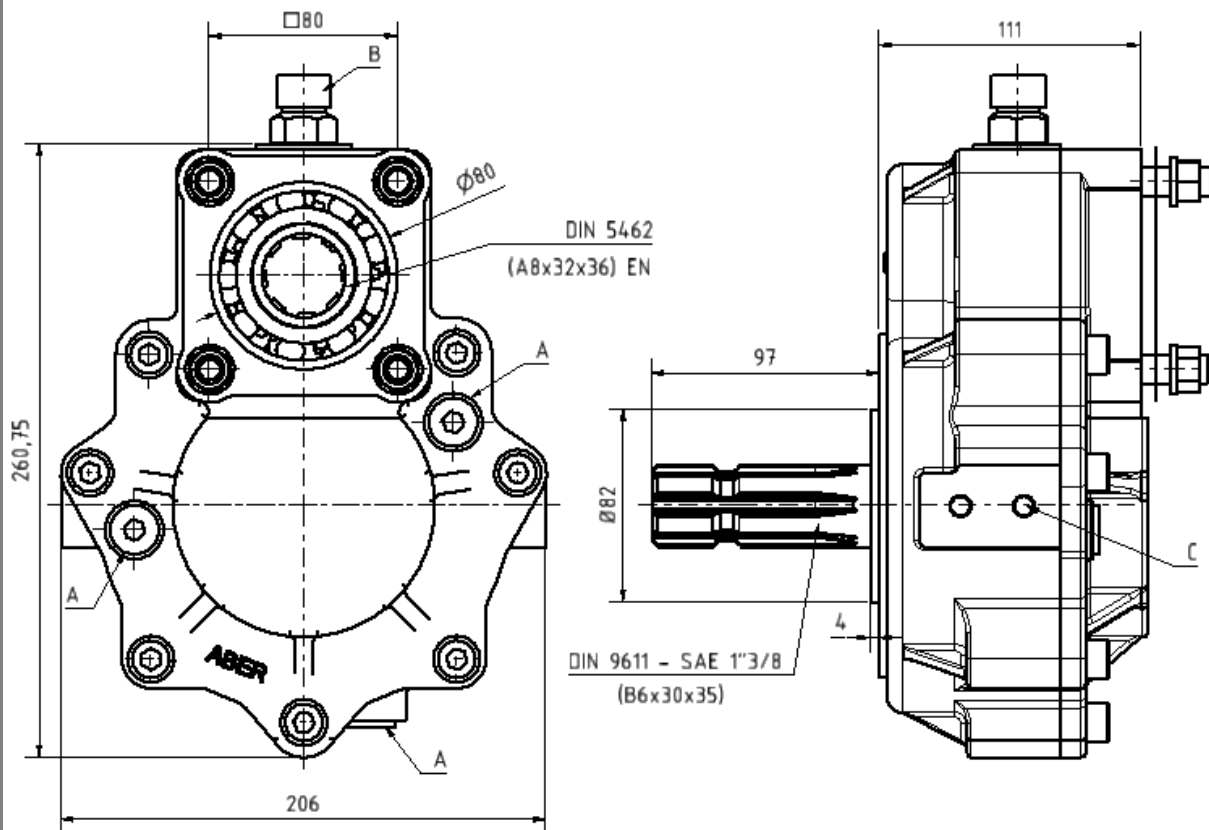
# HEAVY DUTY GEAR BOX

Relation 1 : 2,5

Ref. GBDA25EN

AGRICULTURAL MULTIPLIER DA INPUT ; EN OUTPUT

## Main Dimensions



- A – Oil charging, drain, and level plug
- B – Oil vent
- C – Fitting hole

(Dimensions in mm)

## Main Data

Continuous Torque (Nm)	800
Power (at 1000 rpm)	110 cv / 82 kW
Weight (kg)	19,5
GB Internal ratio	1:2,5

CTI GBDA25EN 1601-1

ABER is constantly engaged in improving its products and, therefore, reserves itself the right to modify without any further notice the characteristics shown. The gear boxes are in constant change; therefore, ABER is not to be held responsible for any damage resulting from wrong application or application of outdated material.



**ABER - Embragens e Comandos Hidráulicos - A. B. LDA**

Rua Francisco de Almeida, Nº 30 – Vila Nova da Telha – 4470 MAIA - Portugal

Telephone: +351.22.9438070 Fax: +351.22.9420823 e-mail: [aber@aber.pt](mailto:aber@aber.pt) <http://www.aber.pt>